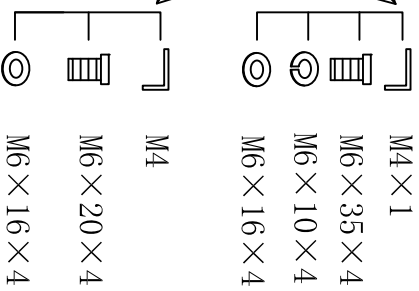
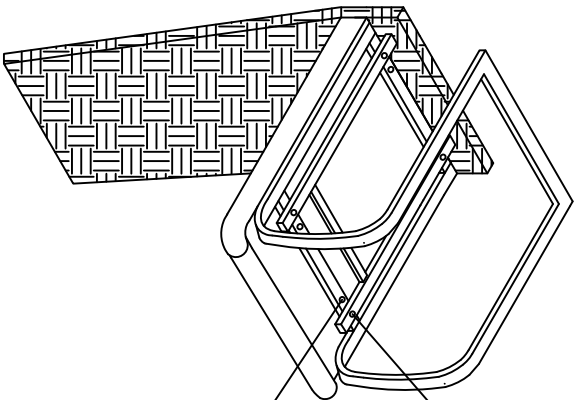
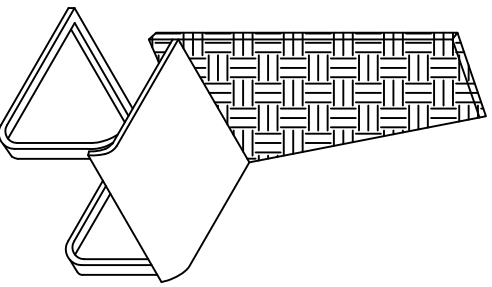


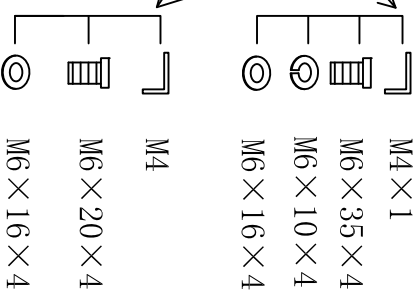
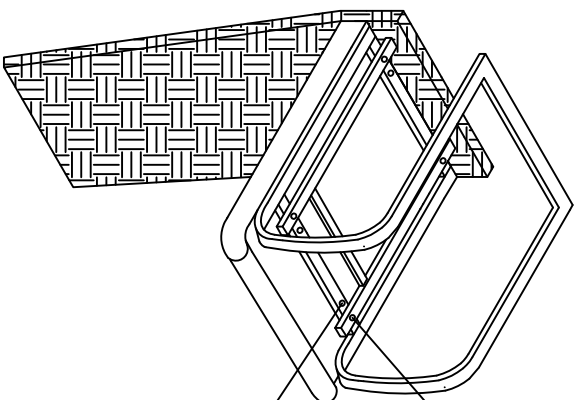
5141



- * It's a good idea to use a soft protective under layer when assembly is carried out.
- * When beginning to screw in the screws then add pressure to the seat, this will make assembly easier.
- * Keep hardware and small parts out of children's reach.
- * Wipe clean with a damp cloth.
- * Keep these instructions for future reference.
- * Periodically check and re-tighten fixings if necessary.
- * Tighten all fixings after one week and as necessary thereafter.
- * It is recommended that the fixings are checked periodically



5141



- * It's a good idea to use a soft protective under layer when assembly is carried out.
- * When beginning to screw in the screws then add pressure to the seat, this will make assembly easier.
- * Keep hardware and small parts out of children's reach.
- * Wipe clean with a damp cloth.
- * Keep these instructions for future reference.
- * Periodically check and re-tighten fixings if necessary.
- * Tighten all fixings after one week and as necessary thereafter.
- * It is recommended that the fixings are checked periodically

