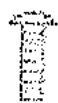


4921

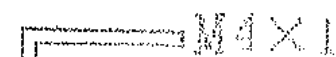
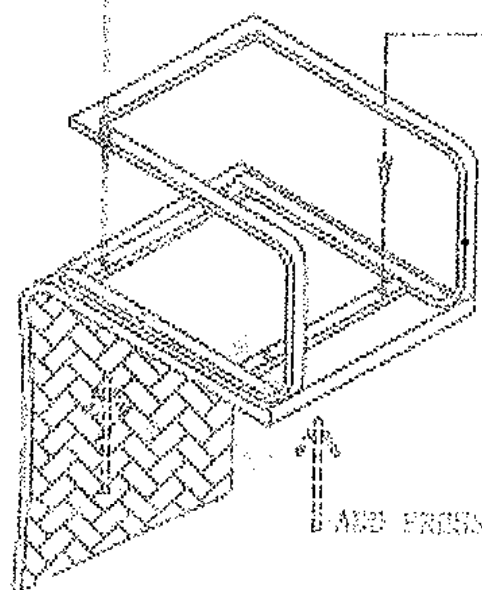


M6 x 45 mm x 2



M6 x 16 mm x 2

HARDWARE



M6 x 40 mm x 2

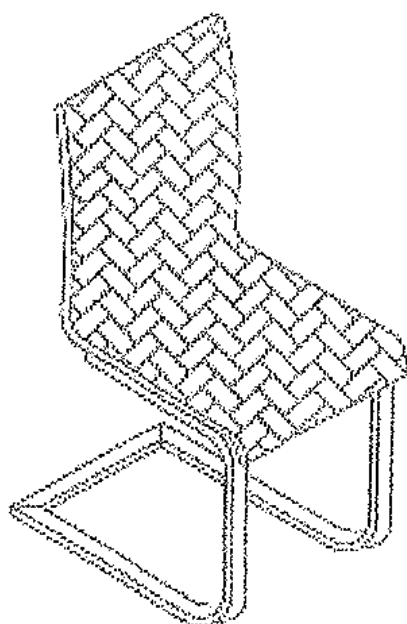


M6 x 16 mm x 2



M10 x 16 mm x 4

ADD PRESSURE ON SEAT CUSHION



- \* It's a good idea to use a soft protective under layer when assembly is carried out.
- \* When beginning to screw in the screws then add pressure to the seat, this will make assembly easier.
- \* Keep hardware and small parts out of children's reach.
- \* Wipe clean with a damp cloth.
- \* Keep these instructions for future reference.
- \* Periodically check and retighten fixings if necessary.
- \* Tighten all fixings after one week and as necessary thereafter.
- \* It is recommended that the fixings are checked periodically.